

VULCAN RATCHET PULLER

TWO YEAR WARRANTY

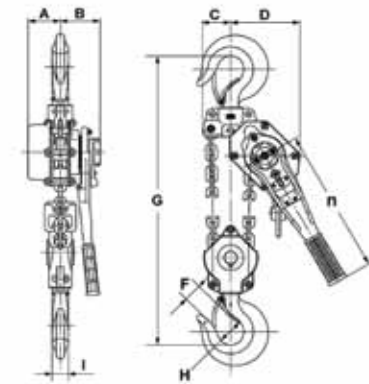
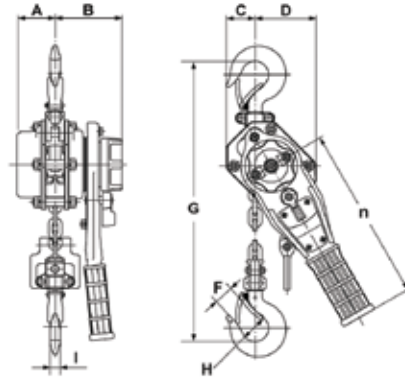
Superior quality

Approved ANSI B30.21

Overload protection available

TECHNICAL SHEET

- Load chain guide
- Two independent pawls
- Single-handed free wheeling
- Galvanized heat treated alloy steel chain
- Heat treated steel forged hooks
- Upper and lower latches included



TECHNICAL SPECS

MODEL	Cap. Tons	Safe working load	Test load	Standard lift	No. of chain falls	Pulling effort	Net weight
		lb	tons	ft		lb	lb
VPU0.75T	0,8	1 763	1,2	5	1	58	12
VPU1.5T	1,6	3 527	2,4	5	1	69	21
VPU3T	3,2	7 054	4,8	5	1	87	35,8
VPU6T	6,3	13 889	7,5	5	2	88	62,7

MODEL	Dimensions in								
	A	B	C	D	F	G Headroom	H	I	N Length
VPU0.75T	2	3 1/2	1 1/2	3 1/4	1	11 3/8	13/8	1/2	9 1/4
VPU1.5T	2 1/2	3 7/8	1 5/8	3 7/8	1 1/4	13	1 3/4	3/4	14 1/2
VPU3T	3 1/4	4	2	4 7/8	1 3/8	16 7/8	2	1	14 1/2
VPU6T	3 1/4	4	2 3/4	6 7/8	1 3/4	22 7/8	2 5/8	1 5/8	14 1/2