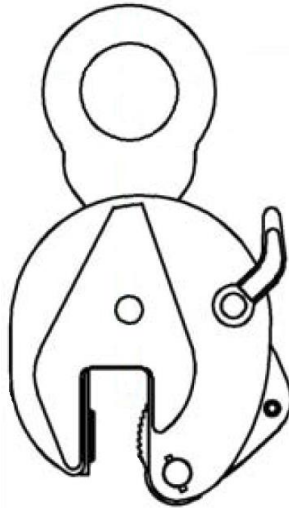




VULCAN
HOIST - PALAN

OPERATOR`S MANUAL

NOVA NVC Universal Plate Clamp



WARNING

DO NOT INSTALL, USE OR REPAIR THIS EQUIPMENT BEFORE READING THIS MANUAL IN ITS ENTIERETY. FAILURE TO READ AND FOLLOW THE INSTRUCTIONS DESCRIBED IN THIS MANUAL COULD RESULT IN SERIOUS INJURY, DEATH AND/OR MATERIAL DAMAGES

WARNING

All persons involved in using, inspecting, maintaining or repairing this equipment must be thoroughly familiar with the contents of this manual and follow the recommended instructions and procedures to avoid injury or property damage.

WARNING

The equipment described in this manual is not designed to lift or move people nor to lift or move loads over people and must therefore not be used for such means.

WARNING

Do not use this clamp in areas containing flammable vapors, liquids, gasses or combustible dust or fibers. Do not use this clamp in highly corrosive, abrasive, wet environments or in temperatures below -40°C or above 80°C .

Safety and Warnings

| Dangerous Practices to be Avoided |
|---|
| DO NOT use the clamp before reading the manual |
| DO NOT let an unqualified person use or repair the clamp |
| DO NOT exceed the rated capacity of the plate clamp |
| DO NOT use damaged or malfunctioning plate clamp |
| DO NOT lift people nor carry loads over people |
| DO NOT stay in the “fall zone” when lifting the plate |
| DO NOT lift load if clamping jaws are not fully engaged |
| DO NOT lift unbalanced loads |
| DO NOT leave the load supported by the clamp unattended |
| DO NOT lift more than one plate at a time |
| DO NOT use the clamp on thinner plates than the minimum specified thickness |
| DO NOT use the clamp on thicker plates than the maximum specified thickness |
| DO NOT use the clamp on plates with surface hardness higher than 30 HRC / 300 Brinell |
| DO NOT do not lift loads lower than 20% of the rated capacity (do not underload the plate clamp) |
| DO NOT shock load |
| DO NOT allow a welding electrode to touch the plate clamp |
| DO NOT use the clamp as ground for welding |
| DO NOT remove or obscure labels |
| DO NOT use if nameplate or safety and warning labels are missing or illegible |

WARNING

Use only Vulcan authorized replacement parts in the service and maintenance of this equipment. Failure to comply with the above limitations may result in property damage, injury or death.

Installation and Operation

ATTENTION

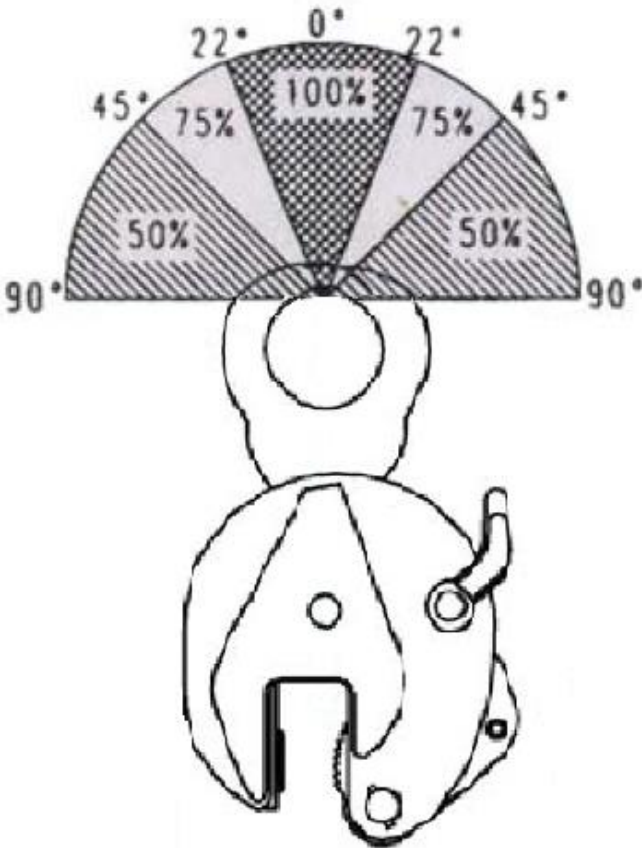
Make sure the surface hardness of the plate is below 30 HRC / 300 Brinell. Make sure the plate weights at least 20% of the rated plate clamp capacity. If the above conditions are not met, the clamp may not grip properly.

Operation Procedures

| | |
|---|---|
| 1 | Prior to lifting, make sure the lift can be performed safely and the lift path is clear |
| 2 | Turn the function lever clockwise to disengage the jaws |
| 3 | Check if the plate clamp for any loose components |
| 4 | Check the teeth and the jaws for excessive wear and make sure they are clean |
| 5 | If the clamp is in proper working order, insert the plate to the end of the clamp mouth |
| 6 | Turn the function lever counter-clockwise to grip and lock the plate |
| 7 | While performing the lift, do not let people to stay or cross the "fall zone" under the clamp. Beware of high |

lifts as the wind may cause the plate to swing increasing the size of the “fall zone”

The NVC universal plate clamp may be used at various angles if the angle is in the same plane as the clamp. See adjusted capacities in diagram below. The clamp may not be loaded in any other angle.



Inspection

ATTENTION

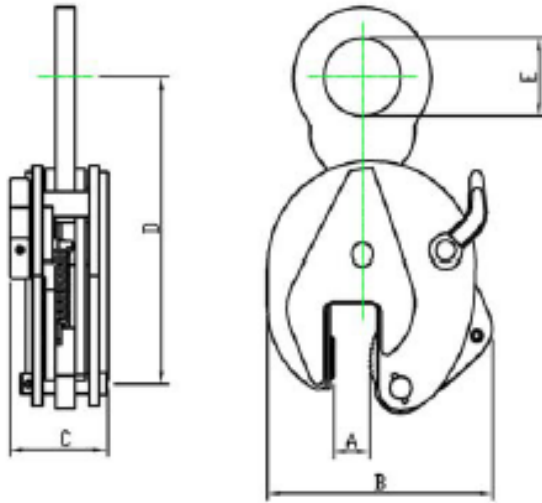
The plate clamp must be inspected by the operator daily. If any deficiencies are noted, stop using the plate clamp until it is repaired or replaced.

Daily Inspection

| | |
|---|--|
| 1 | Check for cracks or distortions in the structural frame, welds or mechanical components |
| 2 | Check for loose fasteners or other clamp components |
| 3 | Verify the clamping mechanism operates properly, pay close attention to the spring mechanism |
| 4 | Check for signs of heat damage or weld splatter |
| 5 | Check for excessive wear on load bearing parts like, but not limited to: the lifting eye, the clamp mouth, the jaws, the jaw teeth, etc. |
| 6 | Make sure the nameplate and the warning labels are present and legible |

ATTENTION

An in-depth inspection of the equipment must be carried out on a regular basis by a qualified person. The plate clamp and its components are examined to ensure the equipment is safe for use. The periodic inspections vary in frequency and details according to the intensity of the equipment use but must include at least the daily inspection procedure. The client is responsible for keeping dated records of all periodic inspections and maintenance procedures as means of continuously monitoring the condition of the equipment.



| Dimensions (mm) | | | | | |
|------------------------|-----------|------------|------------|------------|-----------|
| Model | A | B | C | D | E |
| 0.8T | 15 | 105 | 45 | 140 | 30 |
| 1T | 20 | 138 | 60 | 182 | 50 |
| 2T | 25 | 175 | 68 | 230 | 68 |
| 3T | 25 | 230 | 90 | 280 | 75 |
| 5T | 30 | 250 | 110 | 325 | 80 |

| Specifications | | | | |
|-----------------------|---------------------|----------------------|-------------------------|--------------------|
| Model | Capacity (T) | Test load (T) | Jaw opening (mm) | Weight (lb) |
| 0.8T | 0.8 | 1.6 | 0-15 | 2.2 |
| 1T | 1 | 2 | 0-20 | 8.8 |
| 2T | 2 | 4 | 0-25 | 13.2 |
| 3T | 3 | 6 | 0-25 | 28.7 |
| 5T | 5 | 10 | 0-30 | 41.9 |

***In the tables above, T designates metric tons (2200lb)**

BEAM CLAMP

Beam Clamp (NBC)

1T to 10T



NOVA LIFTING CLAMPS

Vertical Clamp (NVC)

0.8T to 5T



Lifting Clamp (NLC)

1T to 5T



Universal Clamp (NUC)

0.8T to 5T



Horizontal Plate Clamp (NHJ)

1T to 2T



Horizontal Plate Clamp (NHP)

0.75T to 2T



Drum Lifter (NDL)

1T



* Nova lifting clamps and beam clamp have a 1-year warranty.

SUPER LIFTING CLAMPS

Screw Cam Clamp (SCC)

0.5T to 3T



Screw Cam Clamp Double Eye (SDC-S)

0.5T to 5T



Srew Cam Clamp with Universal Shackle (SUC)

0,5T à 3T



Lateral Lifting Clamp (HLC-H)

1T to 6T



Vertical Lifting Clamp (SVC-H)

0.5T to 5T



Vertical Lifting Clamp with Universal Shackle (SVC-E)

0.5T to 2T



Vertical Lifting Clamp with Remote Control (SVC-L)

0.5T to 3T



Vertical Lifting Clamp with stopper (SVC)

1T to 5T



* Super lifting clamps have a 2-year warranty.

SERVICES



RENTAL



TESTING AND CERTIFICATION



MAINTENANCE AND REPAIR



VULCAN HOIST - PALAN

3435, boul. Crémazie Est
Montréal (Québec) H1Z 2J2
Tel.: 514 728.4527 / Fax.: 514 374.4231
vulcanhoist.com / info@vulcanhoist.com

Authorized Distributor: