

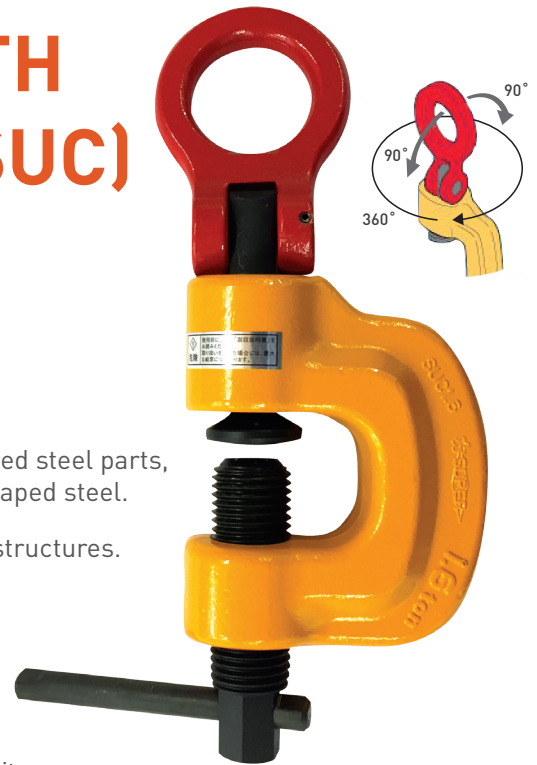
SCREW CAM CLAMP WITH UNIVERSAL SHACKLE (SUC)

TWO-YEAR WARRANTY

TECHNICAL SHEET

Screw clamp with universal shackle for lifting and pulling of various shaped steel parts, ranging from steel plates and structured steel to curved and spherical shaped steel.

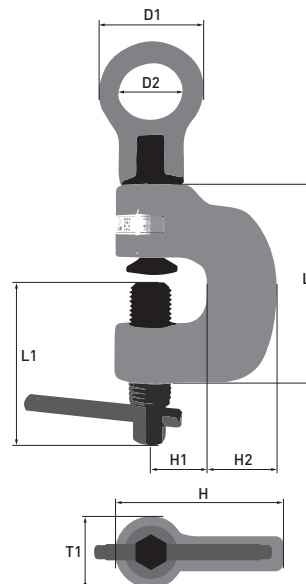
- This omni directional clamp can lift, hang, turn over, and pull steel structures.
- 360-degree universal shackle.
- Equipped with a screw cam (spherical universal designed), which provides an extra powerful clamping force on the work piece at no load and even when vibrations occur during operation.
- The clamping force increases in proportion to the weight of the load.
- The main body is made from the die-forging of special alloy steels in one piece, which is optimally tempered for maximum strength and durability.
- High-frequency quenching of special alloy steels gives greater durability to the cam.
- The main body has a baked-on finished.
- The cam and the pad can be easily replaced.



TECHNICAL SPECS

MODEL	Capacity (tons)	Jaw opening (mm)	Weight (kg)
SUC 0.5	1.5	0~25	2.0
SUC 1	1	0~30	2.8
SUC 1.6	1.6	0~30	3.5
SUC 3.2	3.2	0~40	5.1

Capacity	Dimensions (mm)							
	L	L1	H	H1	H2	T1	D1	D2
0.5	120	89	91	30	38	46	60	35
1	130	109	108	40	45			
1.6	133		110			50	75	45
3.2	165	136	130	45	55			



EXAMPLE OF USE

