

Hack10 Eye Grab Hook

The Hack10 eye grab hook is fundamentally used to grab chain. As a result, it is commonly used in lifting applications as a chain shortening device, as well as for lashing. It features an eye attachment type for use with chain via a connector. Manufactured from alloy steel, the Hack10 eye grab hook is 25% stronger than a grade 8 equivalent, delivering a greater working load limit without the need for a larger diameter chain sling.

The Hack10 eye grab hook has been independently verified and awarded the DGUV H-Mark for lifting components, issued under number H83.

Standards: designed and manufactured in accordance with EN1677-1, ASTM A952/A952M, and DIN PAS 1061 and suitable for use in chain slings certified to EN818-4.

Third-party accreditation: DGUV H-Mark certified under number H83.

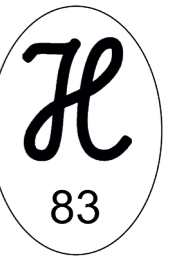
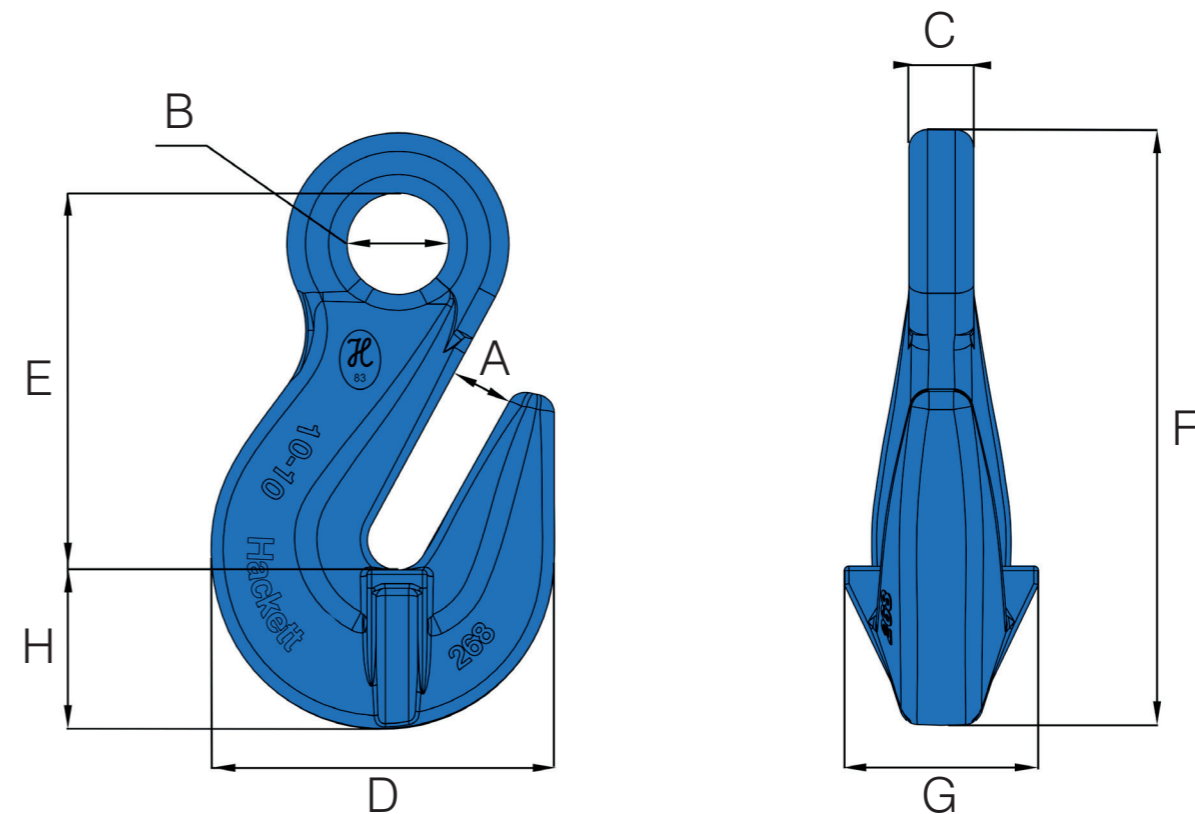
Product sizes: available for chain sizes from 6mm to 32mm and with working load limits from 1.4 tonnes to 40.0 tonnes.

Temperature: operational temperature range of - 40°C to + 200°C without reduction in working load limit.

Material: alloy steel.

Testing: crack detection following heat treatment, and proof load tested to 2.5 times working load limit.

Safety factor: 4 : 1.



Metric Specifications

| PART CODE | CHAIN SIZE mm | A mm | B mm | C mm | D mm | E mm | F mm | G mm | H mm | BOX QTY. | WLL tonnes | MASS kg |
|-----------|---------------|------|------|------|-------|-------|-------|-------|------|----------|------------|---------|
| 10-H06-06 | 6 | 8.0 | 13.5 | 8.0 | 46.5 | 46.0 | 73.0 | 25.5 | 20.2 | 100 | 1.4 | 0.15 |
| 10-H06-08 | 8 | 11.0 | 17.5 | 9.5 | 53.0 | 61.0 | 93.0 | 33.5 | 22.0 | 80 | 2.5 | 0.30 |
| 10-H06-10 | 10 | 13.5 | 22.0 | 14.0 | 74.0 | 85.0 | 129.0 | 42.0 | 31.0 | 40 | 4.0 | 0.79 |
| 10-H06-13 | 13 | 17.0 | 27.0 | 18.5 | 96.0 | 104.0 | 166.0 | 53.5 | 47.5 | 12 | 6.7 | 1.67 |
| 10-H06-16 | 16 | 19.0 | 36.0 | 22.0 | 116.0 | 119.0 | 186.0 | 74.0 | 48.0 | 10 | 10.0 | 2.74 |
| 10-H06-20 | 20 | 25.0 | 44.0 | 23.0 | 145.0 | 146.0 | 225.0 | 87.0 | 58.0 | 6 | 16.0 | 4.72 |
| 10-H06-22 | 22 | 27.0 | 48.5 | 26.0 | 160.5 | 165.5 | 260.5 | 90.0 | 72.0 | 5 | 19.0 | 8.20 |
| 10-H06-26 | 26 | 34.0 | 52.0 | 34.0 | 190.0 | 204.0 | 311.0 | 110.0 | 79.0 | 2 | 26.5 | 11.35 |
| 10-H06-32 | 32 | 41.0 | 64.0 | 40.0 | 229.0 | 246.0 | 373.0 | 130.0 | 95.0 | 1 | 40.0 | 20.65 |

Hack10 Eye Grab Hook

The Hack10 eye grab hook is fundamentally used to grab chain. As a result, it is commonly used in lifting applications as a chain shortening device, as well as for lashing. It features an eye attachment type for use with chain via a connector. Manufactured from alloy steel, the Hack10 eye grab hook is 25% stronger than a grade 8 equivalent, delivering a greater working load limit without the need for a larger diameter chain sling.

The Hack10 eye grab hook has been independently verified and awarded the DGUV H-Mark for lifting components, issued under number H83.

Standards: designed and manufactured in accordance with EN1677-1, ASTM A952/A952M, and DIN PAS 1061 and suitable for use in chain slings certified to EN818-4.

Third-party accreditation: DGUV H-Mark certified under number H83.

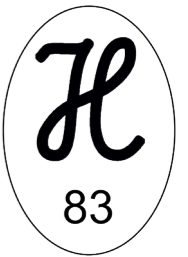
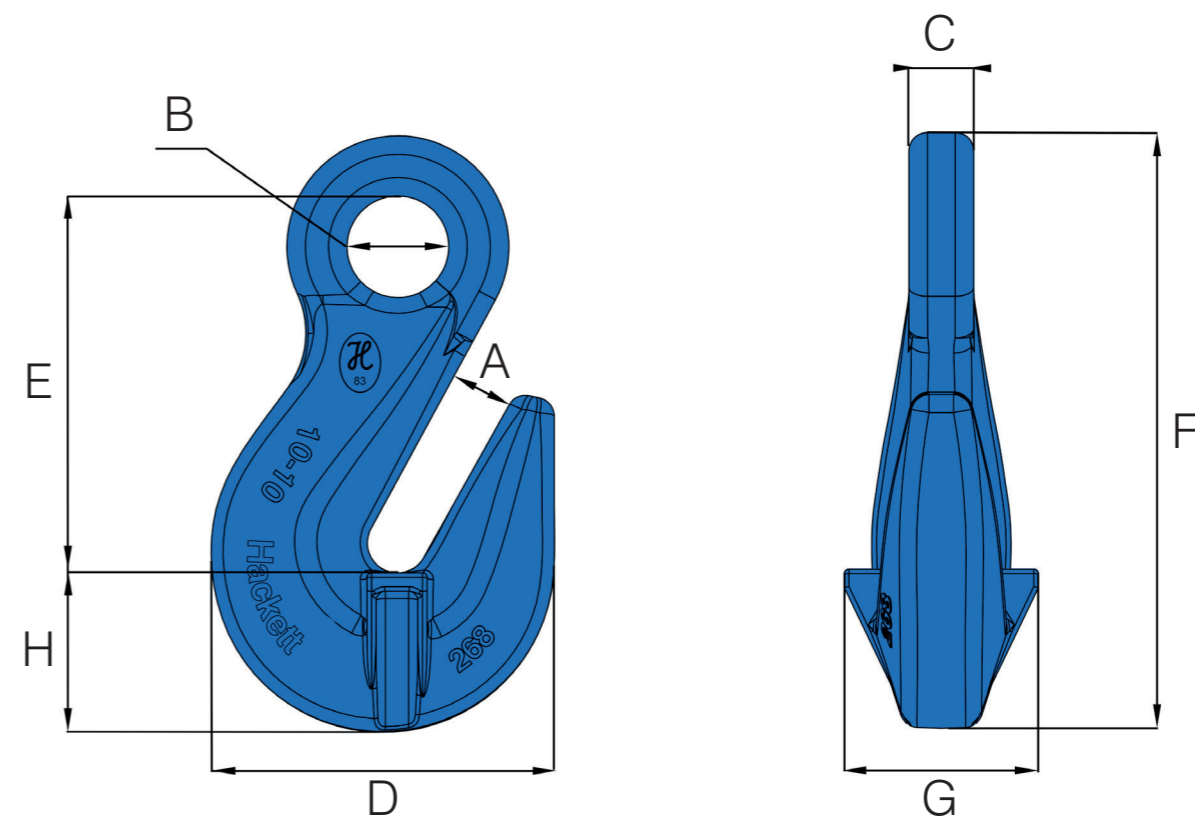
Product sizes: available for chain sizes from 7/32 inch to 1-1/4 inch and with working load limits from 3,200 lbs to 90,400 lbs.

Temperature: operational temperature range of - 40°C to + 200°C without reduction in working load limit.

Material: alloy steel.

Testing: crack detection following heat treatment, and proof load tested to 2.5 times working load limit.

Safety factor: 4 : 1.



Imperial Specifications

| PART CODE | CHAIN SIZE inch | A inch | B inch | C inch | D inch | E inch | F inch | G inch | H inch | BOX QTY. | WLL lbs | MASS lbs |
|-----------|--------------------|-----------|-----------|-----------|-----------|-----------|-----------|-----------|-----------|-------------|------------|-------------|
| 10-H06-06 | 7/32 | 0.31 | 0.53 | 0.31 | 1.83 | 1.81 | 2.87 | 1.00 | 0.80 | 100 | 3200 | 0.33 |
| 10-H06-08 | 5/16 | 0.43 | 0.69 | 0.37 | 2.09 | 2.40 | 3.66 | 1.32 | 0.87 | 80 | 5700 | 0.66 |
| 10-H06-10 | 3/8 | 0.53 | 0.87 | 0.55 | 2.91 | 3.35 | 5.08 | 1.65 | 1.22 | 40 | 8800 | 1.74 |
| 10-H06-13 | 1/2 | 0.67 | 1.06 | 0.73 | 3.78 | 4.09 | 6.54 | 2.11 | 1.87 | 12 | 15000 | 3.68 |
| 10-H06-16 | 5/8 | 0.75 | 1.42 | 0.87 | 4.57 | 4.69 | 7.32 | 2.91 | 1.89 | 10 | 22600 | 6.04 |
| 10-H06-20 | 3/4 | 0.98 | 1.73 | 0.91 | 5.71 | 5.75 | 8.86 | 3.43 | 2.28 | 6 | 35300 | 10.41 |
| 10-H06-22 | 7/8 | 1.06 | 1.91 | 1.02 | 6.32 | 6.52 | 10.26 | 3.54 | 2.83 | 5 | 42700 | 18.08 |
| 10-H06-26 | 1 | 1.34 | 2.05 | 1.34 | 7.48 | 8.03 | 12.24 | 4.33 | 3.11 | 2 | 59700 | 25.02 |
| 10-H06-32 | 1-1/4 | 1.61 | 2.52 | 1.57 | 9.02 | 9.69 | 14.69 | 5.12 | 3.74 | 1 | 90400 | 45.53 |