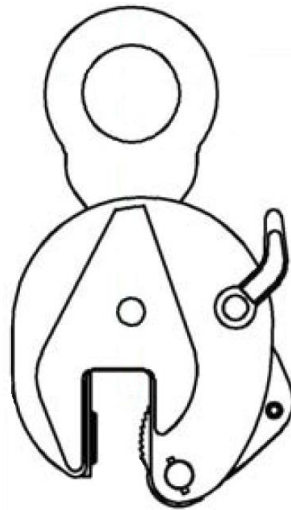




CDE Universal Plate Clamp

Operation manual



The use of any clamp presents some risk of personal injury or property damage. All persons involved in such installation, operation, and maintenance should be thoroughly familiar with the contents of this manual and follow the recommendations and instructions to avoid injury or property damage

All plate clamps are proof-tested at 1.5 times the rated load.

Do not use the clamp in areas containing flammable vapors, liquids, gasses or combustible dust or fibers. Do not use the clamp in highly corrosive, abrasive, wet environments or in applications involving exposure to temperatures below -40°C or above 80°C

Safety and Warnings

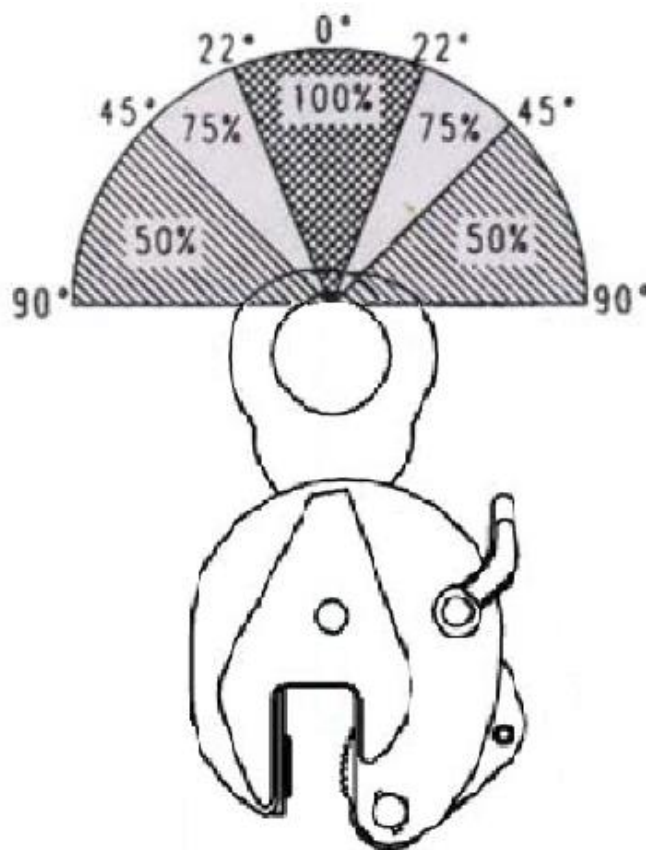
- Do NOT use any lifting equipment before reading the Owner's Manual
- Do NOT let an unqualified person use the equipment
- Do NOT lift more than the rated load
- Do NOT operate damaged or malfunctioning device
- Do NOT lift people or pass loads over people
- Do NOT lift a plate that is not fully engaged with the clamping jaws
- Do NOT lift unbalanced loads
- Do NOT leave load supported by the clamp unattended
- Do NOT lift under 20% of rated load capacity
- Do NOT lift plates of surface hardness below HRC 30 / Brinell 300
- Do NOT remove or obscure labels

Use only Vulcan authorized replacement parts in the service and maintenance of Vulcan equipment.

Failure to comply with any of limitations may result in bodily injury or death.

Installation and Operation Instructions

1. Make sure the surface hardness of the material is below HRC 30 / Brinell 300 and the plate weighs at least 20% of the clamp rated load. Otherwise, the clamp may not grip properly
2. Turn the function lever clockwise to disengage the jaws and insert plate to the end of the clamp mouth. Turn the function lever counter-clockwise to grip and lock the plate
3. The clamp may be used to lift plates at an angle only if the angle is in the same plane as the clamp. See adjusted capacities in diagram below. The clamp may not be loaded at any other angle than described in the diagram below.



Inspection

Visual Inspection

The lifting equipment must be visually inspected by the operator on a daily basis during operation. Deficiencies to look for include, but are not limited to:

- Cracks or distortion in the structural frame, welds, mechanical operating parts, attached slings, clevises or hooks
- Malfunctions during the operation of the equipment
- Loose or missing fasteners or stops
- Debris on the plate surface before and after lifting
- Nameplates or other markings

Contact Vulcan Hoist for further instructions. The lifter must remain “out of service” until repairs are completed in compliance with Vulcan’s instructions.

In Service Inspection - Periodic

The lifting equipment must be inspected periodically by a qualified person. Inspection items include, but are not limited to:

- Evidence of loose fasteners (bolts, nuts, rivets, etc.)
- Cracks or distortion in the structural frame or welds
- Evidence of excessive wear of components
- Nameplate integrity and legibility

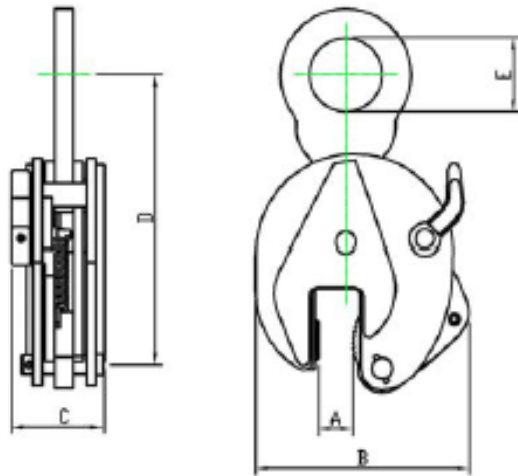
The frequency of periodic inspection is dependent on the type of service:

- **Normal service** - **monthly**
(operating within the working load limits with an average load of 65% of the working load limit or less)
- **Heavy service** - **weekly to monthly**
(operating within the working load limits with an average load of over 65% of the working load limit)
- **Severe service** - **daily to weekly**
(normal or heavy service with abnormal operating conditions)

If any deficiencies are found during an inspection, the equipment must be tagged immediately as “out of service”.

Contact Vulcan Hoist for further instructions. The equipment must remain “out of service” until repairs are completed in compliance with Vulcan’s instructions.

Dated records of all inspection and maintenance procedures are to be maintained by an appointed person as a permanent record as means of continuously monitoring the equipment.



Dimensions

Model	A	B	C	D	E
0.8t	15	105	45	140	30
1t	20	138	60	182	50
2t	25	175	68	230	68
3t	25	230	90	280	75
5t	30	250	110	325	80

Performance Parameter

Model	Lifting capacity(kg)	Test load(kg)	Jaw opening(mm)	Net weight(kg)
0.8t	800	1600	0-15	1.75
1t	1000	2000	0-20	4
2t	2000	4000	0-25	6
3t	3000	6000	0-25	13.6
5t	5000	10000	0-30	19.5

BEAM CLAMP

Beam Clamp (NBC)

1T to 10T



NOVA LIFTING CLAMPS

CDE Vertical Clamp (NVC)

0.8T to 5T



Lifting Clamp (NLC)

1T to 5T



Universal Clamp (NUC)

0.8T to 5T



Horizontal Plate Clamp (NHJ)

1T to 2T



Horizontal Plate Clamp (NHP)

0.75T to 2T



Drum Lifter (NDL)

1T



* Nova lifting clamps and beam clamp have a 1-year warranty.

SUPER LIFTING CLAMPS

Screw Cam Clamp (SCC)

0.5T to 3T



Screw Cam Clamp Double Eye (SDC-S)

0.5T to 5T



Srew Cam Clamp with Universal Shackle (SUC)

0,5T à 3T



Lateral Lifting Clamp (HLC-H)

1T to 6T



Vertical Lifting Clamp (SVC-H)

0.5T to 5T



Vertical Lifting Clamp with Universal Shackle (SVC-E)

0.5T to 2T



Vertical Lifting Clamp with Remote Control (SVC-L)

0.5T to 3T



Vertical Lifting Clamp with stopper (SVC)

1T to 5T



* Super lifting clamps have a 2-year warranty.

SERVICES



RENTAL



TESTING AND CERTIFICATION



MAINTENANCE AND REPAIR



VULCAN HOIST - PALAN

3435, boul. Crémazie Est
Montréal (Québec) H1Z 2J2
Tel.: 514 728.4527 / Fax.: 514 374.4231
vulcanhoist.com / info@vulcanhoist.com

Authorized Distributor: