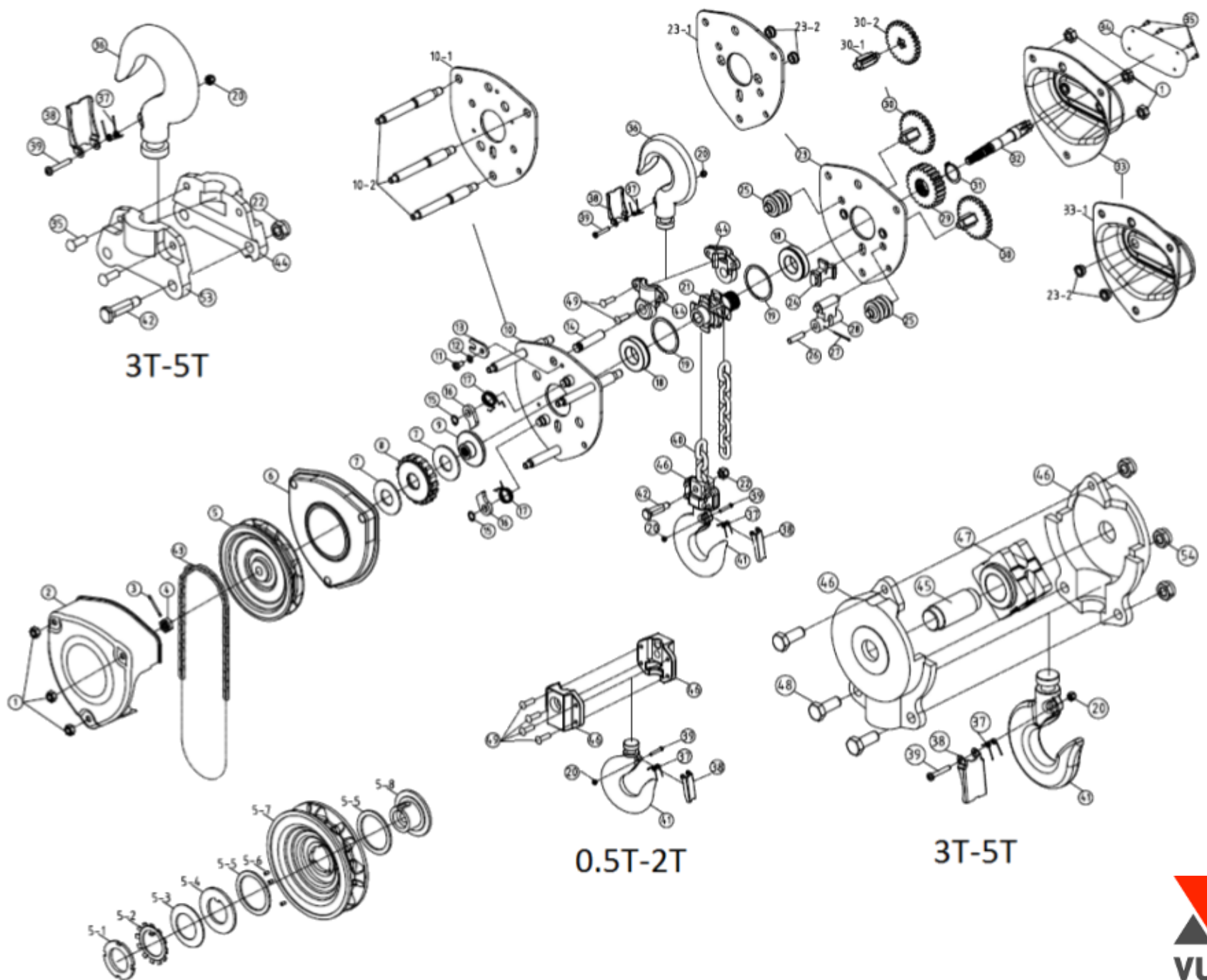


SPARE PARTS XT SERIES CHAIN BLOCK
PIÈCES DE RECHANGE POUR PALAN SÉRIE XT



No.	Description	Qty
1	Hand wheel cover hex nut	6
2	Hand wheel cover	1
3	Split pin	1
4	Hex slot nut	1
5	Hand wheel	1
5-1	Ovld. protection, locking nut	1
5-2	Ovld. protection, brake seat ring	1
5-3	Ovld. protection, spring	1
5-4	Ovld. protection, clamp	1
5-5	Ovld. protection, friction disc	2
5-6	Ovld. protection, roll pin	3
5-7	Ovld. protection, ratchet gear	1
5-8	Ovld. protection, brake seat	1
6	Brake disc cover	1
7	Friction plate	2
8	Ratchet gear	1
9	Brake seat	1
10	Left side plate assembly	1
10-1	Left side plate	1
10-2	Support pin	3
11	Screw of lock plate	1
12	Spring washer of lock plate	1
13	Lock plate	1

No.	Description	Qty
14	Pin of top hook	1
15	Snap ring	2
16	Pawl	2
17	Spring of pawl	2
18	Bearing A	2
19	Snap ring	2
20	Bottom hook housing hex nut	2
21	Chain sprocket	1
22	Bottom hook housing hex nut	1
23	Right side plate assembly	1
23-1	Right side plate	1
23-2	Steel ring	2
24	Stripper	1
25	Guide roller	2
26	Suspension plate pin	1
27	Split pin	1
28	End anchor	1
29	Splined gear	1
30	Disc gear assembly	2
30-1	Primary gear	2
30-2	Secondary gear	2
31	Snap ring	1
32	Pinion shaft	1

No.	Description	Qty
33	Gear cover assembly	1
33-1	Gear cover assembly	1
23-2	Steel ring	2
34	Name plate	1
35	Name plate rivet	4
36	Top hook housing B	1
37	Safety latch spring	2
38	Safety latch spring	2
39	Safety latch pin	2
40	Load chain	1
41	Bottom hook housing hex nut	1
42	Bottom hook housing pin	1
43	Hand chain	1
44	Top hook housing A (0.5T-2T)	2
44	Top hook housing A (3T-5T)	1
45	Bottom hook shaft	1
46	Bottom hook housing B	2
47	Bottom hook idler	1
48	Bottom hook housing B bolt	3
49	Bottom hook housing rivet	4
53	Top hook housing B	1
54	Bottom hook housing hex nut	3