

To: _____

City: _____

Attn: _____

Reference: _____

Tel.: _____

Fax.: _____

From: _____

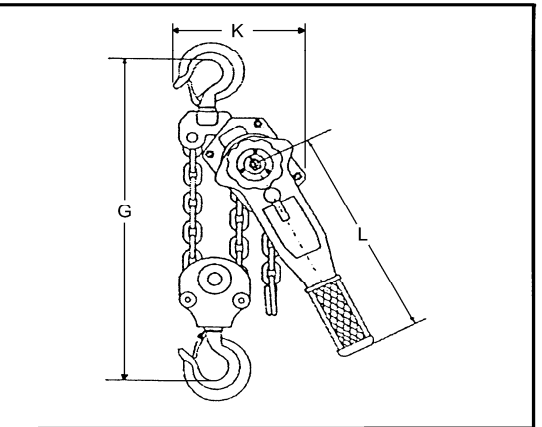
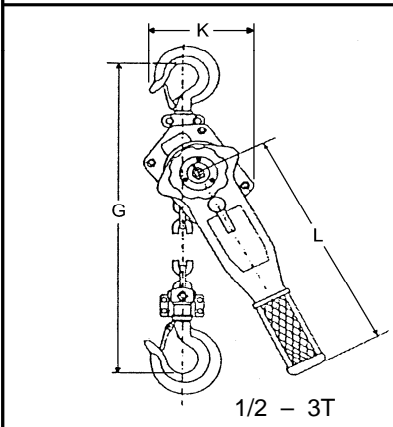
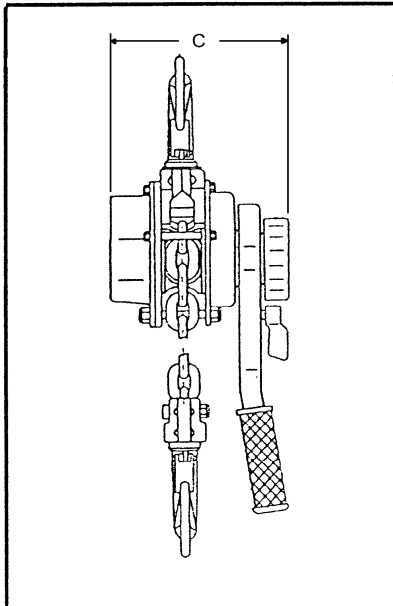
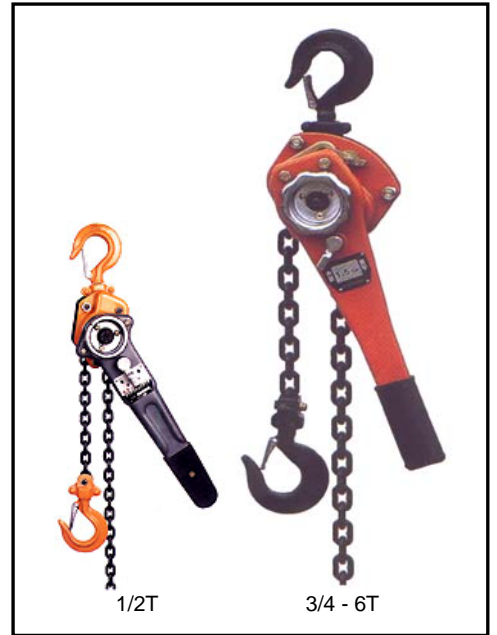
Nova-E

Ratchet Pullers

Overload Protection Available

APPROVED ANSI B30.21

- ★ Triple spur gear
- ★ Chain is of high quality alloy steel, heat treated
- ★ Hooks are of forged heat treated steel
- ★ A very good quality product



Model no	Cap tons	Safe working load lb	Test load tons	Standard lift		No of chain falls	C		G Headroom hook to hook		K		L Length of operating handle		Pulling effort		Net Weight	
				ft	m		in	mm	in	mm	in	mm	in	mm	lb	kg	lb	kg
NPU1/2T	1/2	1,100	0.7	5	1.5	1	4 1/8	105	10 1/4	260	3 1/8	80	11 7/8	300	64	29	9	4
NPU3/4T	3/4	1,650	1.0				6 1/8	155	12 5/8	320	5 3/8	135	11 1/4	285	31	14	16	7
NPU1.5T	1 1/2	3,300	1.9				7 1/8	180	15	380	6 1/8	155	14 5/8	370	54	24	25	12
NPU3T	3	6,600	3.8				8 1/2	215	19	480	7 7/8	200	16 1/2	420	72	33	46	21
NPU6T	6	13,200	7.5			2	8 1/2	215	23 3/4	600	7 7/8	200	16 1/2	420	76	35	68	31

Specifications subject to change without notice. Upper & lower latches included. **1 YEAR GUARANTEE.**

We do not assume responsibility for failure or delay in deliveries caused by strike, shortage in materials or due to any other circumstances beyond our control.

Discount: _____ Taxes/Transport extra

Delivery: _____ days approx. Prices firm 30 days