

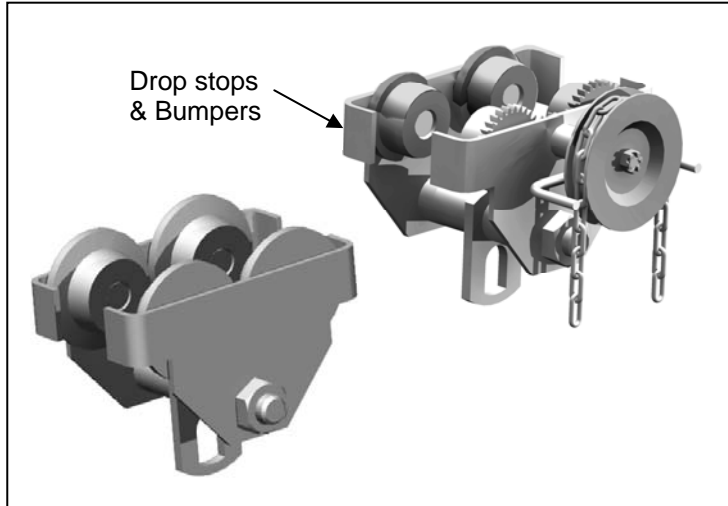
To: \_\_\_\_\_

Attn: \_\_\_\_\_ City: \_\_\_\_\_

Reference: \_\_\_\_\_

Tel.: \_\_\_\_\_ Fax: \_\_\_\_\_

From: \_\_\_\_\_



# Nova-E

## Manual Trolleys

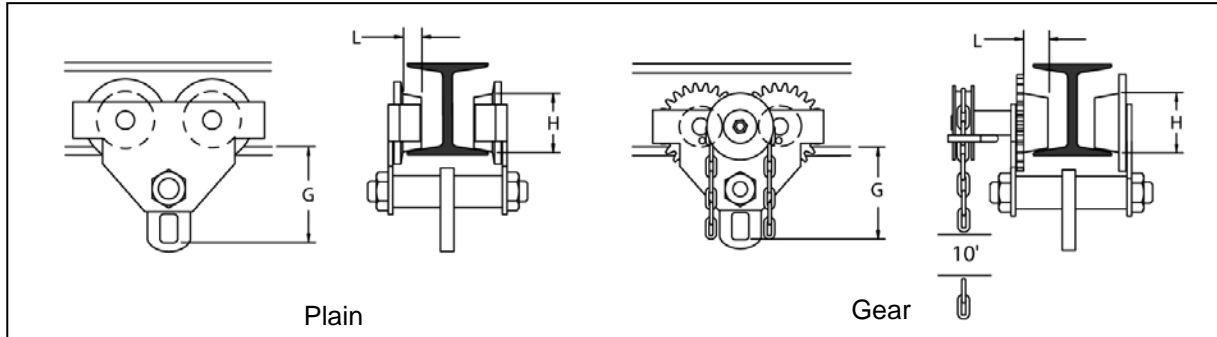
Specify beam height & width or height & lb per ft, when inquiring

I or S beam tapered

H or W beam flat

If dimensions are critical, please apply

On request: Trolleys for smaller beam wider flange – shorter radius of curve



Universal wheels ( I & H ) 1/2 -10T 20T for I-Beam only or H-Beam only											
		CAST IRON WHEELS		DROP STOP & BUMPERS		BALL BEARING					
Model no.		Cap Tons	Beam Min height	Beam width (flange) Larger flange on request		Shipping lb		Curve min radius "	G" Headroom	H" Wheel tread dia.	L" Tread width
Plain	Gear			Min"	Max"	Plain	Gear				
NPT1/2T	NGT1/2T	1/2	3"	2 1/2	5 3/4	17	28	36	4 1/4	2 1/4	1
NPT1T	NGT1T	1	4"	2 3/4	6	29	39	40	5	2 7/8	1 1/2
NPT1.5T	NGT1.5T	1 1/2	5"	3 1/8	6 5/8	43	52	48	5 3/8	3 1/2	1 3/8
NPT2T	NGT2T	2	5"	3 1/8	6 3/4	47	56	49	5 3/8	3 1/2	1 3/8
NPT3T	NGT3T	3	5"	3 5/8	8 1/2	85	97	60	6 3/4	4 1/4	1 1/2
NPT5T	NGT5T	5	6"	4 1/8	8 1/4	126	141	79	8 3/4	4 3/4	1 3/4
NPT10T	NGT10T	10**	8"	4 1/2	8 1/4	229	242	87	10	5 7/8	1 7/8
NPT20T	NGT20T	20**	10"	7	10	560	583	111	12	7 3/4	2 7/8

\*\*10 T & over have 2 bearings Specifications subject to change without notice

We do not assume responsibility for failure or delay in deliveries caused by strike, shortage in materials or due to any other circumstances beyond our control Discount: \_\_\_\_\_ Taxes/Transport extra Delivery: \_\_\_\_\_ days approx. Prices firm 30 days