

To: _____ 1/
 Attn: _____ City: _____ Reference: _____
 Tel.: _____ Fax: _____ From: _____

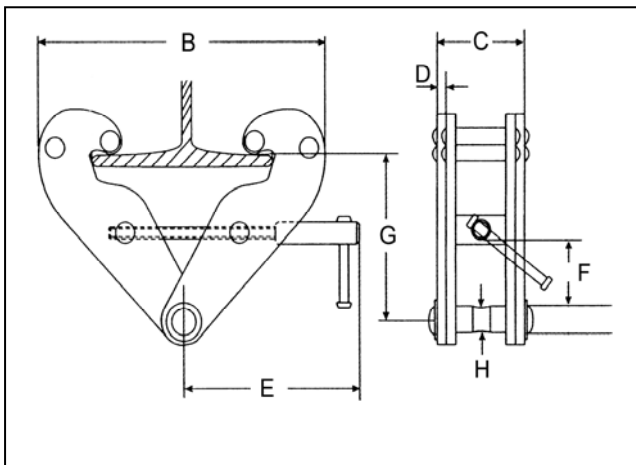
Nova beam clamps

Robust - All steel construction

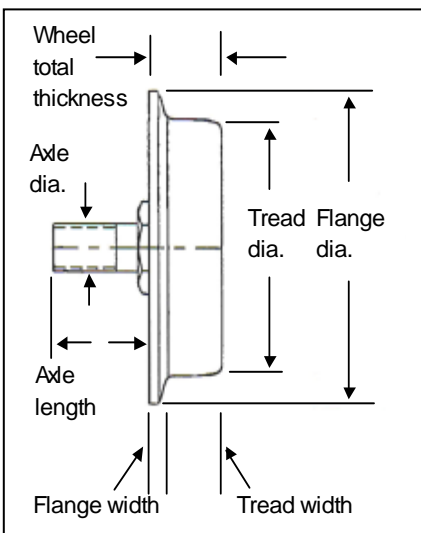
Compact size with light weight

Quick & easy installation
 for I & H beam

Cap tons	Model No.	Safe working load lb (kg)	Test load tons	Dimensions in. (mm)				Net weight lb (kg)
				Flange width		G Headroom		
				Min.	Max.	Max.	Min.	
1	NBC1T	2 200	1.5	1.75	7.50	4.87	5.50	9.5 (4.31)
		(1 000)		(44)	(190)	(123)	(139)	
2	NBC2T	4 400	3	1.75	7.50	4.87	5.50	10.5 (4.76)
		(2 000)		(44)	(190)	(123)	(139)	
3	NBC3T	6 600	4.5	2	12	6.50	8.25	20 (9.07)
		(3 000)		(51)	(305)	(165)	(209)	
5	NBC5T	11 000	6.25	2	12	6.50	8.25	24.5 (11.1)
		(5 000)		(51)	(305)	(165)	(209)	
10	NBC10T	22 000	12.5	2.50	11.75	6.75	8.37	34 (15.4)
		(10 000)		(64)	(298)	(171)	(212)	



Dimensions in. (mm)							
Refer to upper chart for flange dimensions							
Cap tons	B		C	D	E	F	H
	Min.	Max.					
1	8	12	2.52	0.2	9.25	2.18	0.87
	(203)	(304)	(64)	(5)	(2.35)	(55)	(22)
2	8	12	2.92	0.24	9.25	2.18	0.87
	(203)	(304)	(74)	(6)	(235)	(55)	(22)
3	9.37	17.50	4.06	0.32	11	2.62	0.95
	(238)	(444)	(103)	(8)	(279)	(67)	(24)
5	9.37	17.50	4.33	0.39	11	2.62	1.1
	(238)	(444)	(110)	(10)	(279)	(67)	(28)
10	10.25	17.75	4.73	47	11	2.62	1.58
	(260)	(450)	(120)	(12)	(279)	(67)	(40)



Trolley wheels

Universal type (I & H)

Cap. Lb '@ 100 ft minute	Model No.	Wheel data				Mounting data				Wheel total thickness	Weight lb
		Tread		Flange		Axle		Cone			
		Dia.	Width	Dia.	Width	Dia.	Length		O.D.		
		Universal cast iron wheels				Non-greasing precision sealed ball bearing				Hex	
300	51342	3 1/8	5/8	4	7/16	1/2	1	1	1 1/16	2	
500	51346	4	7/8	4 7/8	7/16	3/4	1 5/8	1 1/4	1 3/8	3	
1000	51347	4 7/8	7/8	5 3/4	7/16	3/4	1 5/8	1 1/4	2	4	
		Carburized & hardened steel wheels				Greasing type Precision ball bearing				Round	
■ 300	4684-x	3 1/8	5/8	4 3/16	7/16	1/2	1 7/16	1 1/4	1 1/4	1.5	

■ until stock is exhausted

S = S or I-Beam Tapered tread

X = W or H-Beam Flat tread

ALL specifications & prices subject to change without notice.

Discount : Beam clamps _____

Trolley wheels _____

1 YEAR GUARANTEE

We do not assume responsibility for failure or delay in deliveries caused by strike, shortage in materials or due to any other circumstances beyond our control

Taxes/Transport extra

Delivery: _____ Prices firm 30 days

VULCAN HOIST CO. LTD.

3435 CREMAZIE E MONTREAL QC H1Z 2J2 T. 514-728-4527 F. 514-374-4231

E-mail : vulcan@contact.net Web : www.vulcanhoist.com

10/98R08/06