

To: \_\_\_\_\_

Attn: \_\_\_\_\_

City: \_\_\_\_\_

Reference: \_\_\_\_\_

Tel.: \_\_\_\_\_

Fax: \_\_\_\_\_

From: \_\_\_\_\_

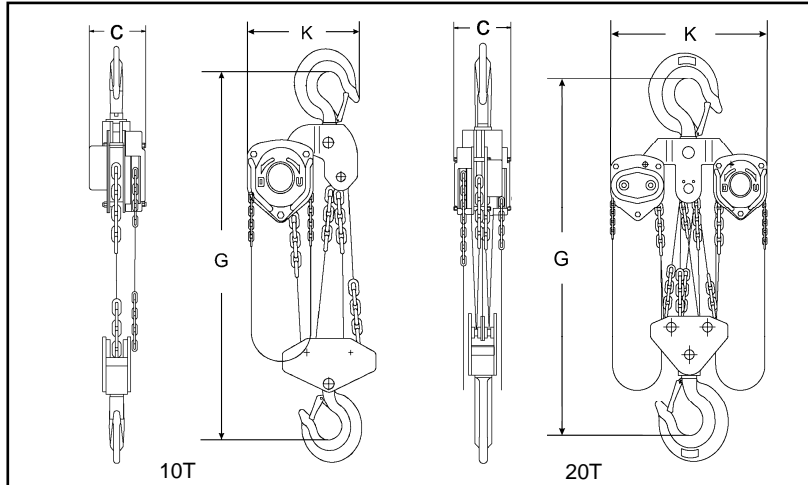
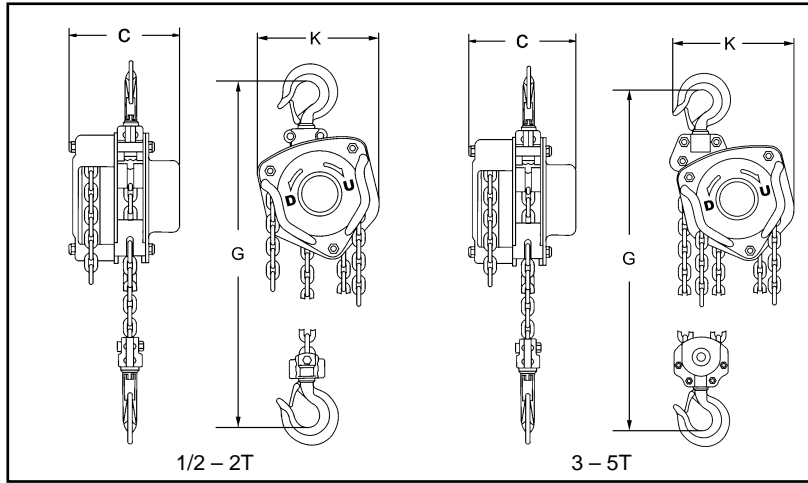
*Hand Chain is  
Zinc Treated*

**Nova-E**

*Approved  
ANSI B30.16*

*Triple Spur Gear  
Enclosed Chain Blocks*

- ★ Light weight for portability
- ★ Load chain is of high quality alloy steel, heat treated
- ★ Hooks are of forged heat treated steel
- ★ A good quality product
- ★ Very low headroom



*Overload  
Protection  
Available*

Model No	Cap tons	Safe working load lb	Test load tons	Standard lift		No. of chain falls	C		G Headroom (Hook to hook)		K		Net weight	
				ft	m		in	mm	in	mm	in	mm	lb	kg
NB1/2T	1/2	1,100	0.75	10	3	1	5 1/8	131	11 1/4	286	5	127	21	10
NB1T	1	2,200	1.5			1	5 1/2	140	13 3/4	349	6 1/4	158	26	12
NB1.5T	1.5	3,300	2.25			1	6 3/8	161	16 3/8	416	6 7/8	174	40	18
NB2T	2	4,400	3			1	6 3/8	161	16 1/2	419	7 3/8	187	41	19
NB3T	3	6,600	4.5			2	6 3/8	161	19 3/4	502	7 7/8	199	59	27
NB5T	5	11,000	6.25			2	7 3/8	186	25 1/4	641	10	253	101	46
NB10T	10	22,000	12.5			4	8 1/8	207	31 1/2	798	15 5/8	398	183	83
NB20T	20	56,200	25			8	8 1/2	215	35 1/8	890	25 5/8	650	425	193

**1 year guarantee**  
Upper & lower latches included.

Hand chain: 3 ft less than lift.  
**Short headroom** on request, in stock specify approximate headroom required.

Specifications subject to change without notice

We do not assume responsibility for failure or delay in deliveries caused by strike, shortage in materials or due to any other circumstances beyond our control

Discount: \_\_\_\_\_ Taxes/Transport extra

Delivery: \_\_\_\_\_ days approx. Prices firm 30 days