

Heavy Duty VULCAN Electric Trolleys for I-BEAM ①

H-Beam on request ①

Any voltage & phase ½ HP

Cap tons	Beam height min."	Flange width		② Headroom "	Wheel tread		Feet/minute Others on request	Radius of curve ② min."	Weight lb
		Min "	Max "		Width "	Dia "			
1	4	2 ½	5	4 ¼	1	2 ¾	18 24	28	105
2	5	4	6	4 ½	1 ½	3 ¾		33	140
3	5	4	6 ¼	5 ¾	1 ⅝	4 ¼	36 48 72	35	175
5	6	4	7	6 ½	1 ¾	5		48	215
6	6	4	6 ½	6 ⅝	1 ¾	5		49	225
7 ½	7	4	6	9 ⅜	1 ¾	6		60	385
10	8	4	6	6	1 ¾	6		61	380

On request 15 – 20 tons

① Specify beam height & width when inquiring & ordering

② On request: shorter headroom & radius with standard delivery

Trolleys are for standard hook suspension
Lug or eye hook on request

STANDARD FEATURES :

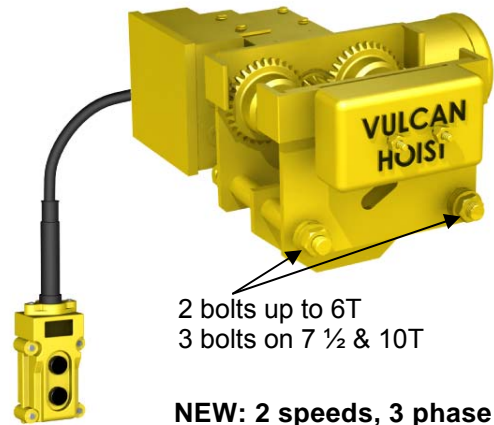
- Wheels & pinion gear are machined from steel bars & are case-hardened
- Bumpers & drop stops
- 1 to 6 T have 2 bolts holding the plates
- 7.5 & 10 T have 3 bolts holding the plates
- 5 T & over, wheels have 2 bearings

TROLLEY COMES WITH :

Control box, 30 inches power cable
Pendant of 2 buttons, 6 ft cable
If trolley & hoist are ordered together,
we supply 1 pendant of 4 buttons & 6 ft cable

OPTIONS AVAILABLE (w/standard delivery) :

Radio remote control
Wider or narrower flange width
Waterproof NEMA 4 pendant, standard is weatherproof
Alarm & emergency stop buttons
Up to 12 buttons 2 speeds
Brake, add 1 ½" to the length & 5 lb to the weight
Lug or eye hook suspension
Overload relay
Fan cooled motor only
T.E.F.C. Motor (totally enclosed fan cooled)
Acidity/humidity motor treatment
Synthetic oil for outside use



2 bolts up to 6T
3 bolts on 7 ½ & 10T

NEW: 2 speeds, 3 phase only

Speed ratios 2 3 4 5 6 to 1

Duty cycle on low speeds of
3 4 5 6 to 1 is: 2 minutes ON
8 minutes OFF

1 - 3T :

18/3 18/6 18/9

24/8 24/12

36/6 36/9 36/12 36/18

48/8 48/12 48/16 48/24

72/24 72/36

5 - 6T :

18/9 24/12 36/18 72/36

7 1/2T & over on request



THESE TROLLEYS ARE ALSO USED FOR CRANE END TRUCKS, specify

Specifications subject to
change without notice.

VULCAN HOIST CO. LTD 3435 Crémazie E. Montréal QC H1Z 2J2

T : 514-728-4527 F : 514-374-4231 E-mail: info@vulcanhoist.com Web : www.vulcanhoist.com 10/98R06/07

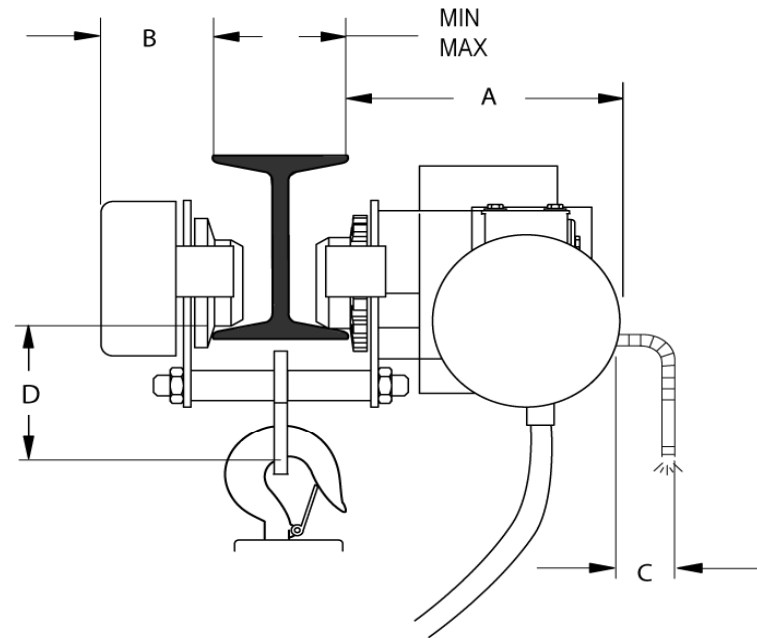
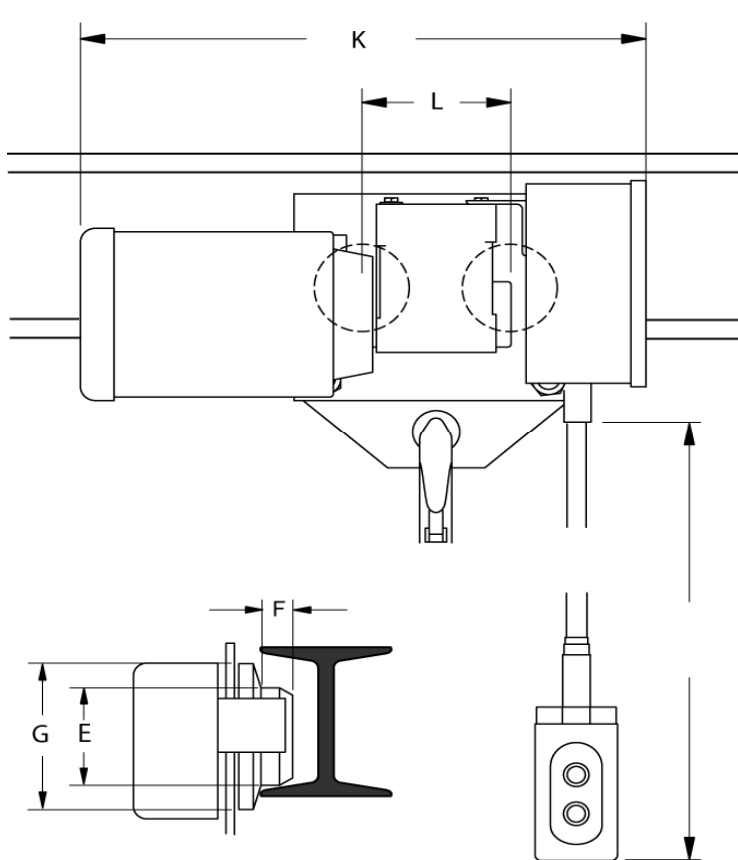
VULCAN HOIST CO. LTD

3435 Crémazie E Montréal Qc H1Z 2J2

T. (514) 728-4527 -- F. (514) 374-4231 E-Mail : info@vulcanhoist.com

Cap. Tons	A"	B"	C"	D"	E"	F"	G"	K"	L"	Beam Height Min."	I-Beam Width		Speed Any voltage & any phase	lb	Radius of Curve Min. "
											Min."	Max."			
1	11	4.5	5	4.25	2.75	1	4	19.5	5	4	2.5	5	FPM	105	28
2	11	5.5	5	4.5	3.75	1.5	5.38	19.5	6.25	5	4	6		140	33
3	16	5.75	5	5.75	4.25	1.63	6.19	21	7.06	5	4	6.25	18 24 36 48 72	175	35
5	10	6	5	6.5	5	1.75	7.13	21	8	6	4	7		215	48
6	10	6	5	6.63	5	1.75	7.13	21	8	6	4	6.5		225	49
7.5	14.5	6.5	5	9.38	6	1.75	8.15	22	9.06	7	4	6	Others on request	385	60
10	15	6	5	6	6	1.75	8.15	22	9.06	8	4	6		380	61

10 T low headroom dimension only All above for single speed trolley With brake add 2" to letter "K" Size of control box is for standard 4 buttons connection



VULCAN ELECTRIC TROLLEYS

06/07