

To: _____

Attn: _____ City: _____

Reference: _____

Tel.: _____ Fax: _____

From: _____

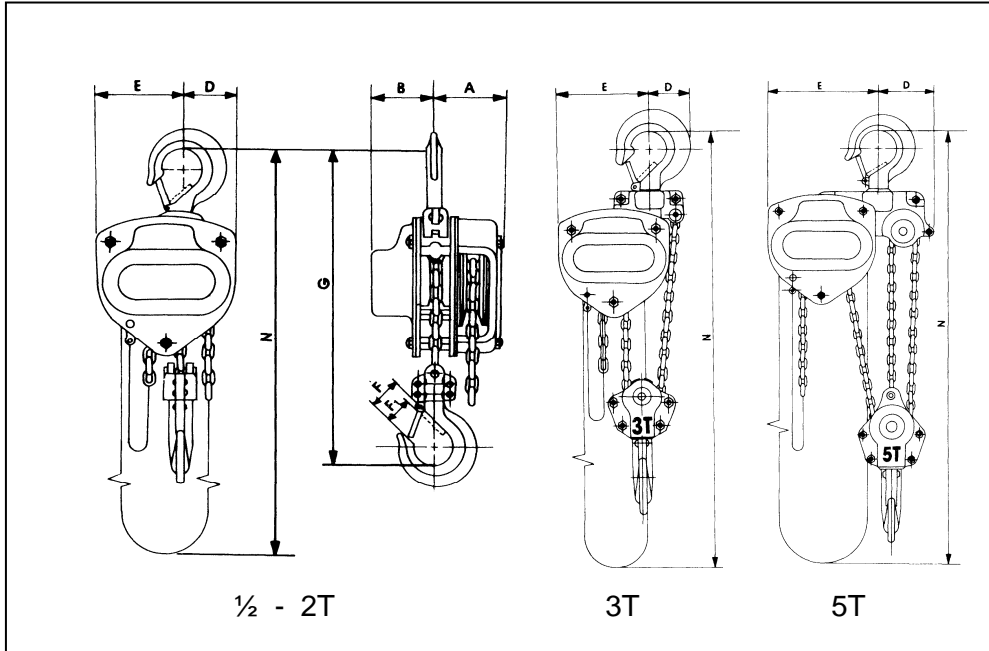
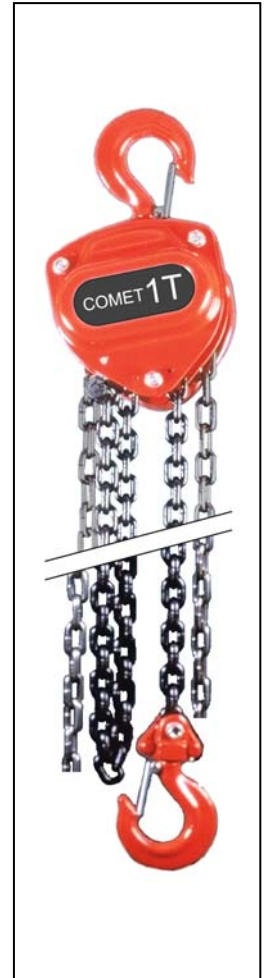
Comet

APPROVED
ANSI B30.16

- ★ **Gears** Triple spur gears of high quality steel with precision cut teeth
- ★ **Hooks** Forged quality steel
- ★ **Chain** High alloy steel heat treated, automatically & electrically welded for uniform tensile strength

*Hand Chain is
Zinc Treated*

*Triple Spur Gear
Enclosed Chain Blocks*



Model No	Cap tons	Safe working load lb	Test load tons	Standard lift		Pulling effort		No of chain falls	G Headroom (hook to hook)		Net weight	
				ft	m	lb	kg		in	mm	lb	kg
CB1/2T	1/2	1,100	.75	10	3	46	21	1	11 1/4	286	22.7	10.3
CB1T	1	2,200	1.5			55	25	1	13	330	24.4	11.1
CB1.5T	1.5	3,300	2.25			70	32	1	14 3/8	365	34.1	15.5
CB2T	2	4,400	3			75	34	1	16 3/4	425	43.4	19.7
CB3T	3	6,600	4.5			75	34	2	18 3/8	465	51.5	23.4
CB5T	5	11,000	7.5			82	37	3	20 3/4	527	83.2	37.8

A		B		D		E		F		F1		N	
in	mm	in	mm	in	mm	in	mm	in	mm	in	mm	ft	m
3 1/2	89	2 5/8	67	2	50	3 1/8	80	1 1/8	30	1	26	8.7	2.65
3 1/2	89	2 5/8	67	2 1/2	63	3 1/2	87	1 1/4	33	1 1/8	28	8.7	2.65
3 5/8	93	2 7/8	73	3	75	4 1/8	105	1 1/2	38	1 3/8	34	8.7	2.66
3 7/8	98	3	77	3 3/8	85	4 1/2	115	1 3/4	43	1 1/2	38	8.7	2.66
3 5/8	93	2 7/8	73	2 3/8	60	5 7/8	150	1 3/4	43	1 1/2	38	8.8	2.67
3 7/8	98	3	77	4 3/4	120	8 1/4	210	2 1/4	57	2	52	9	2.75

Short headroom on request
Specify approx headroom required

Specifications subject to
change without notice

Upper & lower latches included
1 YEAR GUARANTEE

We do not assume responsibility for failure or delay in deliveries caused by strike, shortage in materials or due to any other circumstances beyond our control

Discount: _____ Taxes/Transport extra

Delivery: _____ days approx. Prices firm 30 days

VULCAN HOIST CO. LTD. 3435 CREMAZIE E MONTREAL QC H1Z 2J2 T. 514-728-4527 F. 514-374-4231

E-mail: info@vulcanhoist.com Web: www.vulcanhoist.com

10/98R10/07