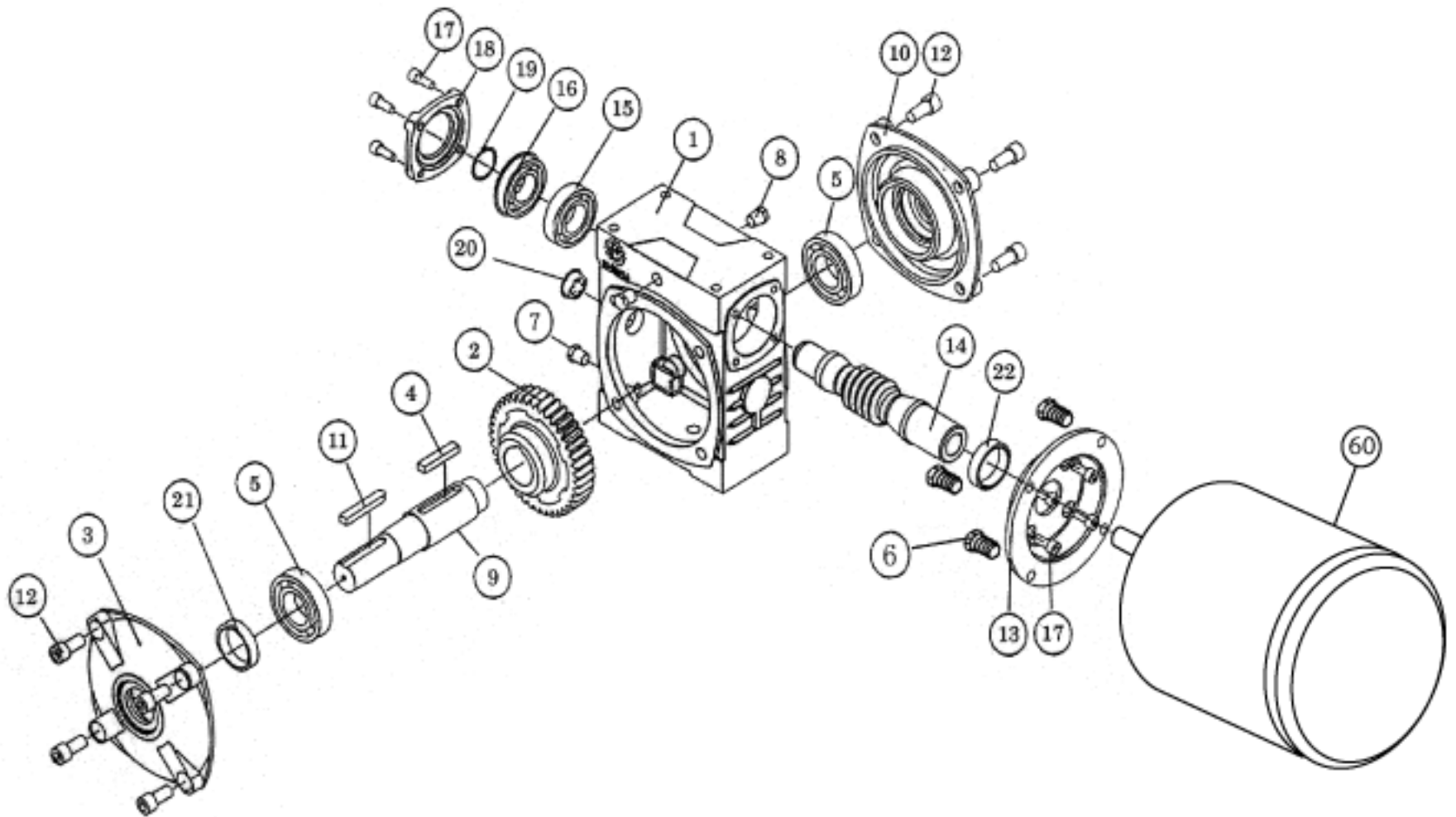
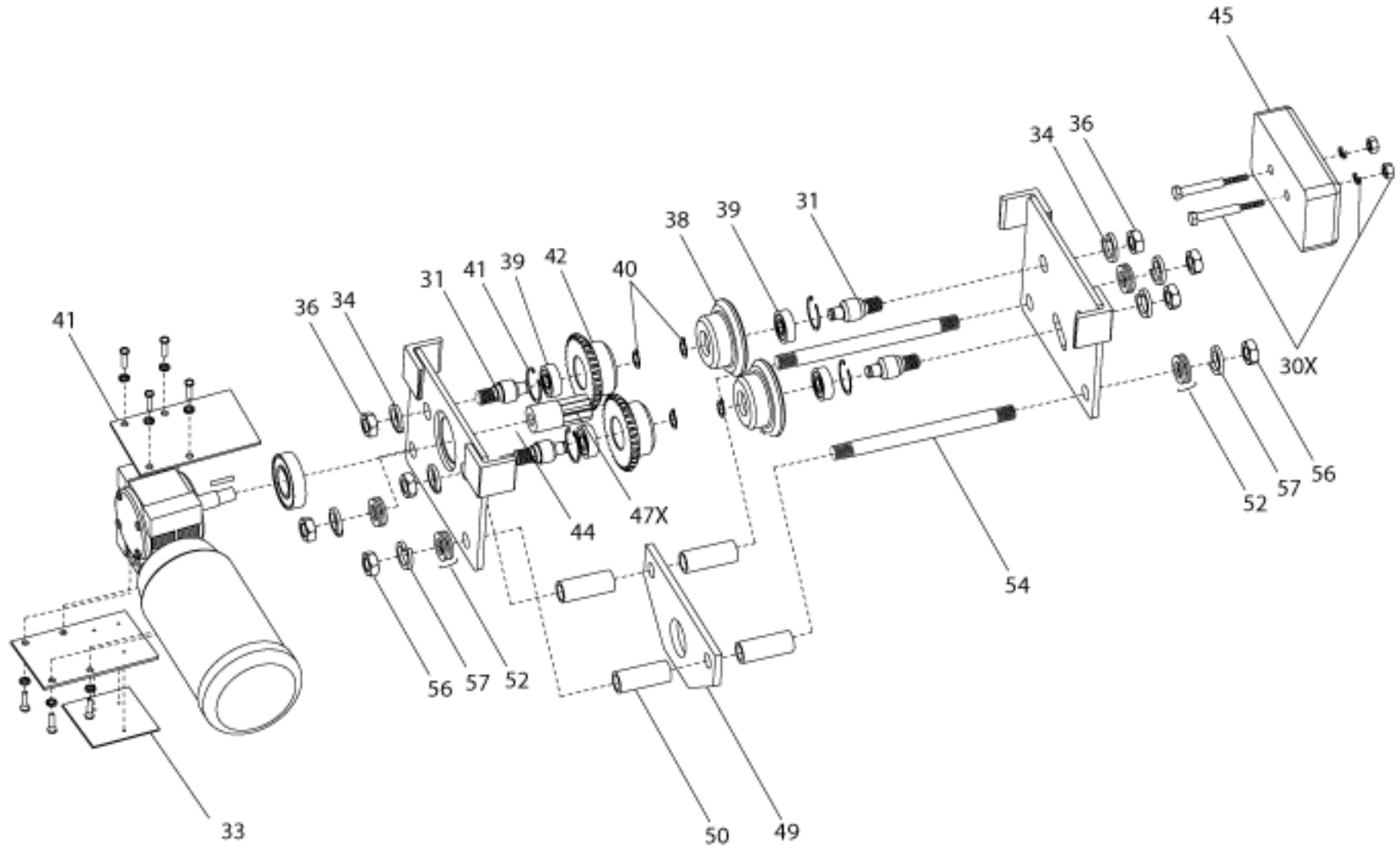


# TROLLEY REDUCER



# VULCAN ELECTRIC TROLLEY



PART LIST FOR VULCAN ELECTRIC TROLLEY GEAR BOX

#	GEAR BOX	QTY	
1	Housing	1	
2	Worm gear	1	
3	Output cover for shaft end	1	
4	Key	1	Specify length & diameter
5	Bearing	2	
6	Mounting bolts for motor	4	
7	Plug	1	
8	Plug	3	
9	Output shaft	1	Specify complete dimension or sample
10	Output cover not shaft end	1	
11	Key	1	
12	Socket head cap screw	8	
13	Motor adaptor flange	1	
14	Input shaft (worm shaft)	1	
15	Bearing	1	
16	Bearing	1	
17	Socket head cap screw	8	
18	Input cover	1	
19	Snap ring	1	
20	Oil gauge	1	Comes with #1
21	Output seal for pinion	1	
22	Input seal	1	In #1 or in #13 new style
23	Oil	7oz	
24	Synthetic oil	7oz	
25	<b>Complete gear box</b>	1	Specify reduction , 5 10 15 20 40 50 to 1

#	DESCRIPTION	QTY
30	Plain side plate, including #30X	1
30X	Mounting bolts for #45	2 set
31	Wheel pins	4
33	Name plate	1
34	Spring washers	4
36	Hexagon nut	4
38	Plain wheels	2
39	Ball Bearing (1 to 3T)	4
39	Ball Bearing (5T. and over)	8
40	Snap ring for #31	4
41	Gear side plate	1
41X	Gear box mounting plates	2 set
42	Gear wheels	2
44	Pinion bearing	1
45	Counterweight	1
47	Pinion, including #47X	1
47X	Bearing retainer for pinion	1
49	Suspension plate	1
50	Stay pipes adjustment collars	4
52	Adjustment washers	16
54	Stay bolts, short or long	2
56	Spring washers	4
57	Hexagon nuts	4
	X = WELDING REQUIRED	
	<b>MOTOR ½ HP</b>	
60	1800 RPM ODP All voltages & phases	1
62	1800 RPM TEFC All voltages & phases	1
66	3600 RPM All voltages & phases	1
68	2 Speeds 1800-900 RPM All 3 phase & voltages	1
70	2 Speeds All 3 phase & voltages	1